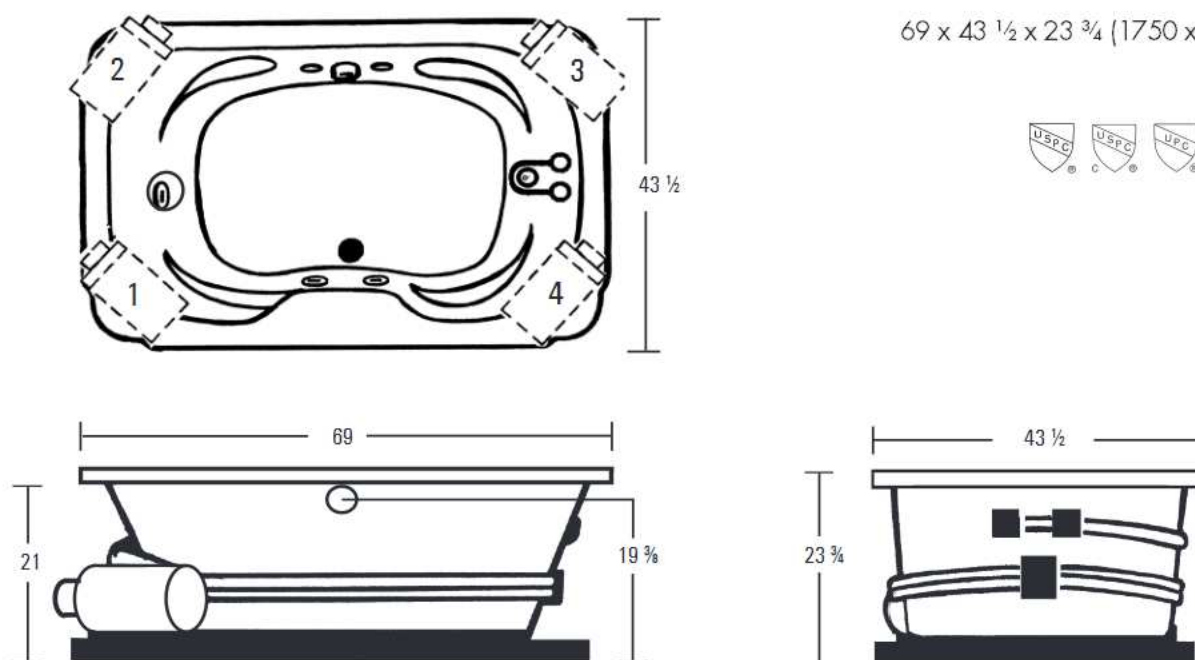


WINCHESTER

69 x 43 1/2 x 23 3/4 (1750 x 1100 x 600)
inches (mm)



FEATURES lbs (kg) Dimensional Tolerance $\pm 3/8"$. Dimensions needed for site preparation should be measured from the unit. Aquatic assumes no responsibility for preparatory work.

Type and Model #	Material	Jets	Pump	Heater	Controls	Drain	Pkg. Wt.
Whirlpool #A16644HW1	Acrylic	8	1.75 HP	1.5 kw Inline (optional)	Electronic on/off	Center Front	242 (110)

DIMENSIONS inches (mm)

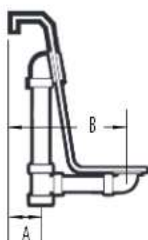
Width Overall / Net	Depth Overall / Net	Height Overall / Net	Skirt Height
69 (1750)	43 1/2 (1100)	23 3/4 (600)	-

SUMP DATA inches (mm)

Capacity to Overflow gal (ltr)	Min. Operating Capacity gal (ltr)	WIDTH @ centerline		DEPTH @ centerline	
		Top	Bottom	Top	Bottom
97 (2465)	78 (295)	58 3/4 (1490)	44 1/2 (1130)	31 1/2 (800)	29 1/2 (750)

PLUMBING DIMENSIONS inches (mm)

A	B
7 (175)	11 3/4 (300)



ELECTRICAL DATA

Component	Specification	Requirement
Pump	1.75 HP; 12 AMP; 110 V	15 AMP; 110V, separate circuit; Class A GFCI
Optional Heater	1.5 kW; 12.5 AMP; 110 V	15 AMP; 110V, separate circuit; Class A GFCI

NOTES:

1) Where applicable, utilize cut-out templates packed with unit for deck cutouts.

2) 16 x 20 (405 x 510) minimum access required at pump/blower location(s).